

CIRCUIT BREAKER 500

Pyrotechnic circuit breaker for high-voltage applications in electric vehicles

- Provides irreversible secure separation over full current range
- Low internal resistance
- Lightweight design at small formfactor
- Suppressed emissions
- High insulation resistance after activation



Key functional parameters

Separation capacity (voltage current inductance)	500 V 16 kA 20 μ H (higher/alternative values on request)
Separation time	< 1.5 ms (typical < 0.9 ms)
Current carrying capacity	400 A @ +85 °C*
Operating temperature	-40 °C to +85 °C
Ambient temperature	-40 °C to +85 °C
Product lifetime	15 years**
Qualification	in accordance with LV 123 and LV 124
Weight	270 g

*depending on cooling, convection, cross-section, contact surface etc. (thermal model upon request)

**operating hours depending on temperature collective & activation energy

HV connection (busbar)

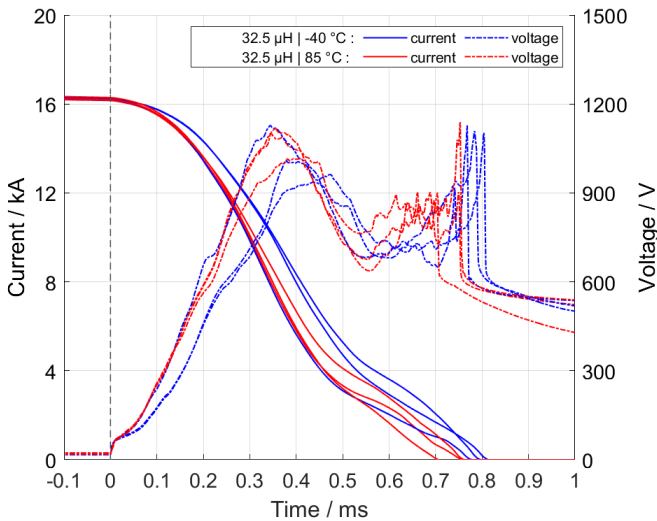
Busbar - igniter - insulation resistance	> 50 M Ω (before and after activation)
Busbar resistance	\leq 50 $\mu\Omega$ (before activation) > 50 M Ω (after activation)
Ground resistance	max. 1 Ω
Busbar material	copper + Ni/Sn plating (alternatives on request)
Busbar cross-section area	64 mm ²
Intended type of connection	screwing (M8)
Distance between screw holes	84 mm

LV connection (igniter)

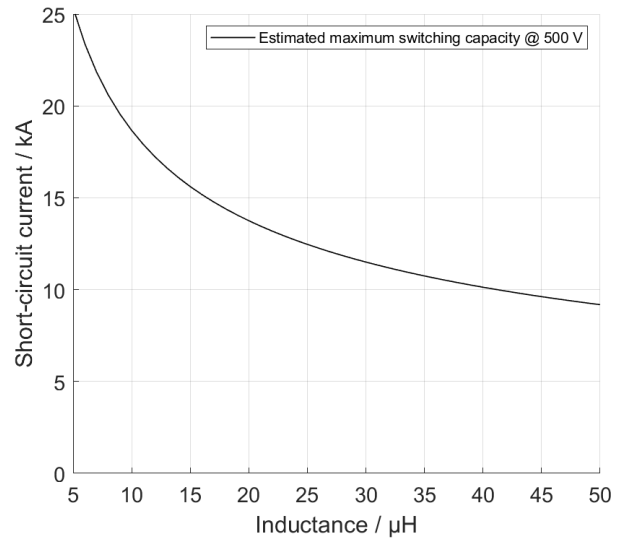
Terminal type	Pin type (2 pins), gold-coated
11 mm Squib-Interface (unsealed)	AK-1/AK2/ABX-5 following ISO 19072-1 commonly used: AK-2 code I
Pyrotechnics	GTMS igniter (LV16 & USCAR-28), maximum pyrotechnic mass 118 mg
Igniter resistance	2.1 Ω \pm 0.4 Ω
Igniter parameter "No fire"	\leq 0.4 A \leq 5 A for \leq 4 μ s
Igniter parameter "All fire"	1.75 A to 40 A for 0.5 ms \geq 1.2 A for \leq 2 ms

Typical curves

Typical current i and voltage u curves

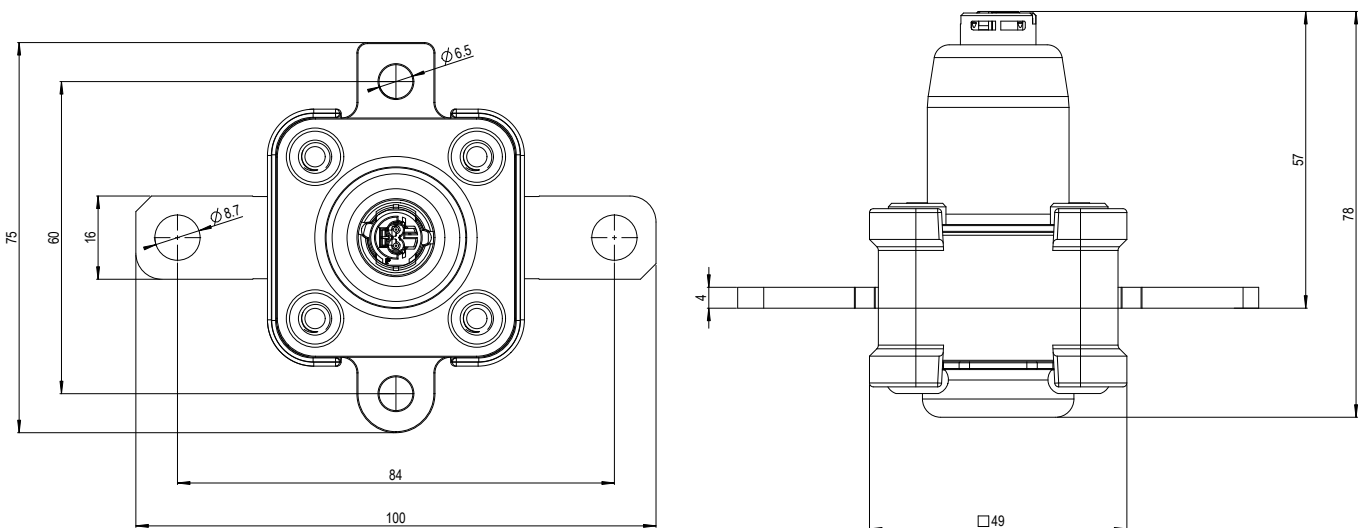


Estimated maximum switching capacity



Outline dimensions*

*in mm



Any data, information, know-how, and any associated intellectual property shall be owned by Astotec. Astotec reserves the right to change, update or correct, without notice, the contents of this datasheet. Please note that its contents are not intended as binding specifications of the product, but rather as general information. Should you come across any errors or omissions we encourage you to contact us for further assistance. The information provided in our technical data sheets is to the best of our knowledge correct but not all-inclusive and without warranty. All rights reserved.

version: October 2022

