

# Pyrotechnical actuator

## for active latches

- Linear pushing
- highly customizable actuator force
- Mounting via customized polymer bracket and cable confection
- De-pressurizes at end of stroke
- Low resetting force



## Key functional parameters

Actuator qualification:	Acc. AK-LV34:2011
Piston stroke:	30mm
Operation temperature:	-40°C up to +110°C
Hold force at end position:	None (pressureless at piston end position)
Piston resettable:	Yes
Force:	1500 – 3500N (customizable) *
Electrical connection:	Leadwire (customizable)
Protection class:	IP6K9K acc. ISO 20653:2013
Surface protection (corrosion resistance):	ZnNiV (transparent or black) acc. BMW GS90010-1:2011-03 Salt spray test acc. DIN EN ISO 9227:2017-07
Dimensions:	~Ø20x70mm **
Weight:	~55g **


\* measured in ballistic drop tower

\*\* depending on customizable polymer bracket and cable confection

## Pyrotechnics:

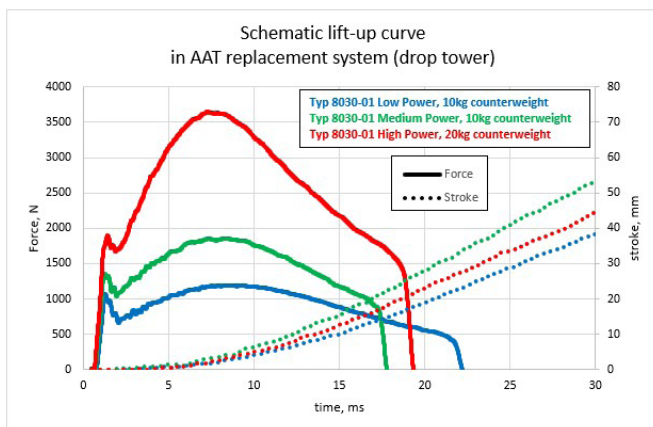
Igniter type:	HWI – (GTMS) igniter
Igniter qualification:	acc. AK-LV16:2012 and USCAR-SAE28
Igniter resistance:	2.1Ω ± 0.4Ω
Igniter parameter: "No fire"	≤0.4A ≤5A for ≤4μs
Igniter parameter: "All fire"	1.75A to 40A for 0.5ms ≥1.2A for ≤2ms

### Customization:

Cable confection:	In serial production: twisted cable (13mm length of lay) with protective tube (cable length 320–500mm) Connector customer dictated part (serial product: Tyco connector)
Polymer bracket (mandatory):	Customer specific design Design examples: 
Part marking:	Serial production: Laser marking on protective cap

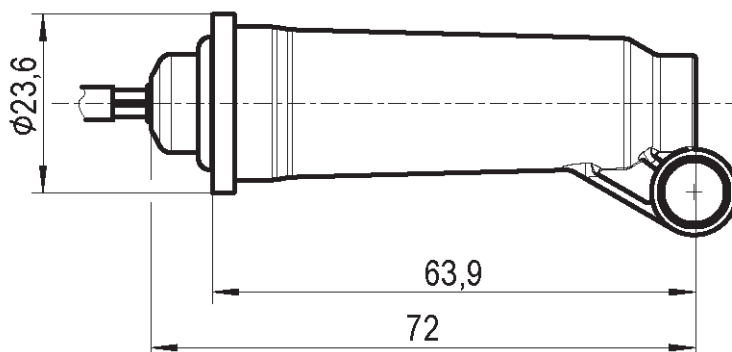
### Schematic lift-up curve

in AAT replacement system (drop tower)



### Outline dimensions\*

\*in mm



Any data, information, know-how, and any associated intellectual property shall be owned by Astotec. Astotec reserves the right to change, update or correct, without notice, the contents of this datasheet. Please note that its contents are not intended as binding specifications of the product, but rather as general information. Should you come across any errors or omissions we encourage you to contact us for further assistance. The information provided in our technical data sheets is to the best of our knowledge correct but not all-inclusive and without warranty. All rights reserved.



Astotec Automotive GmbH  
 Leobersdorfer Straße 31-33  
 2552 Hirtenberg /Austria  
 +43 2256 811 84  
 automotive.at@astotec.com  
 automotive.astotec.com